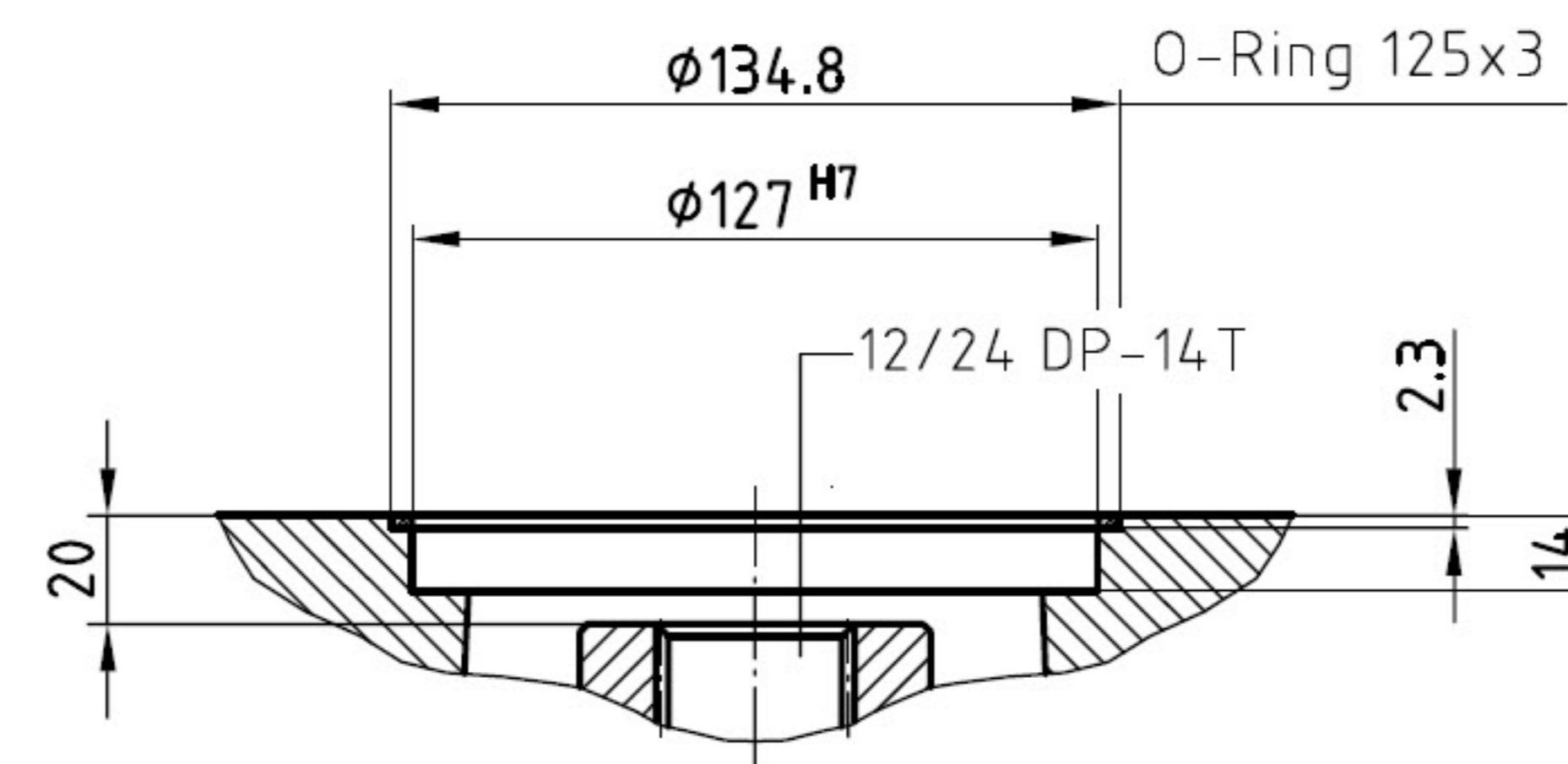


output I + III
M 1:2



output II
M 1:2

Attention !

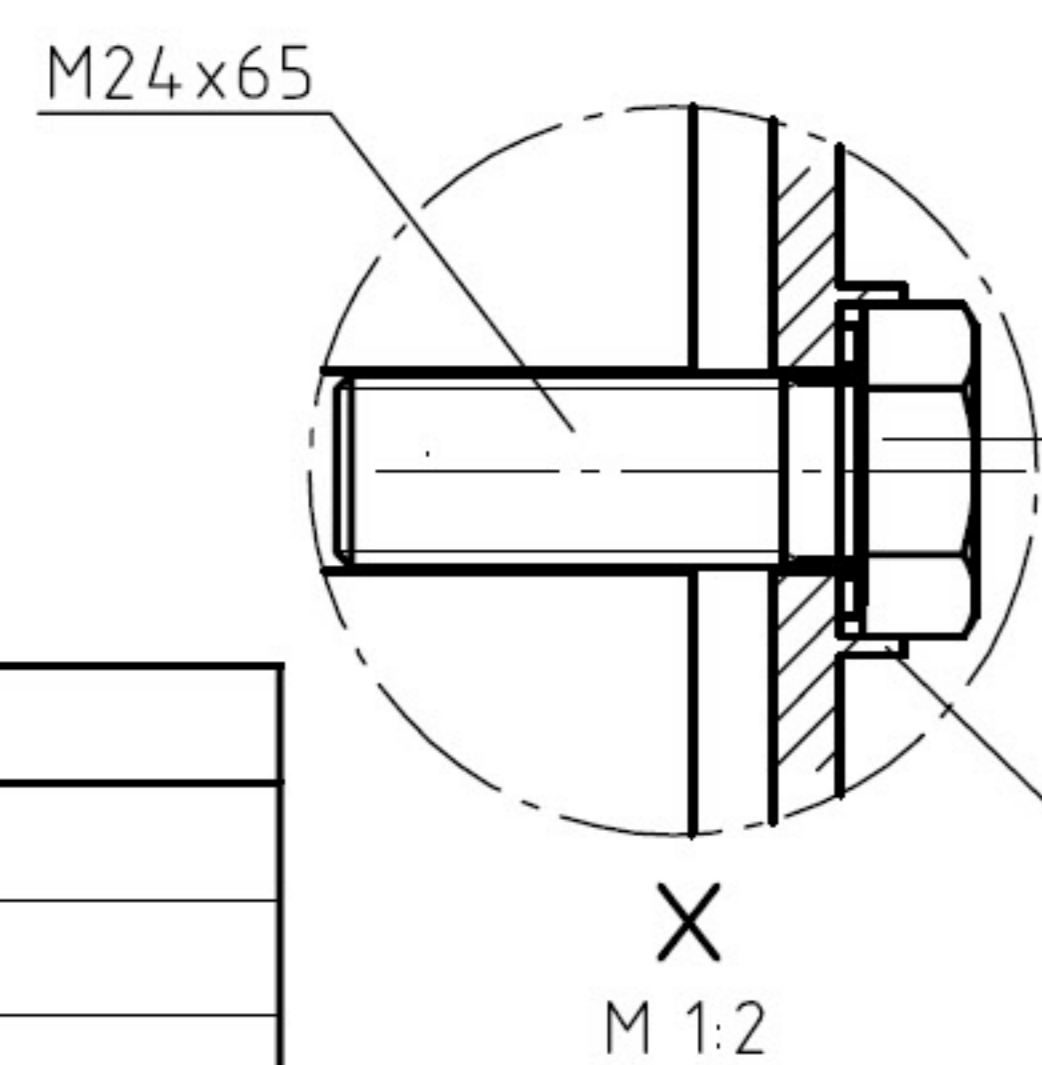
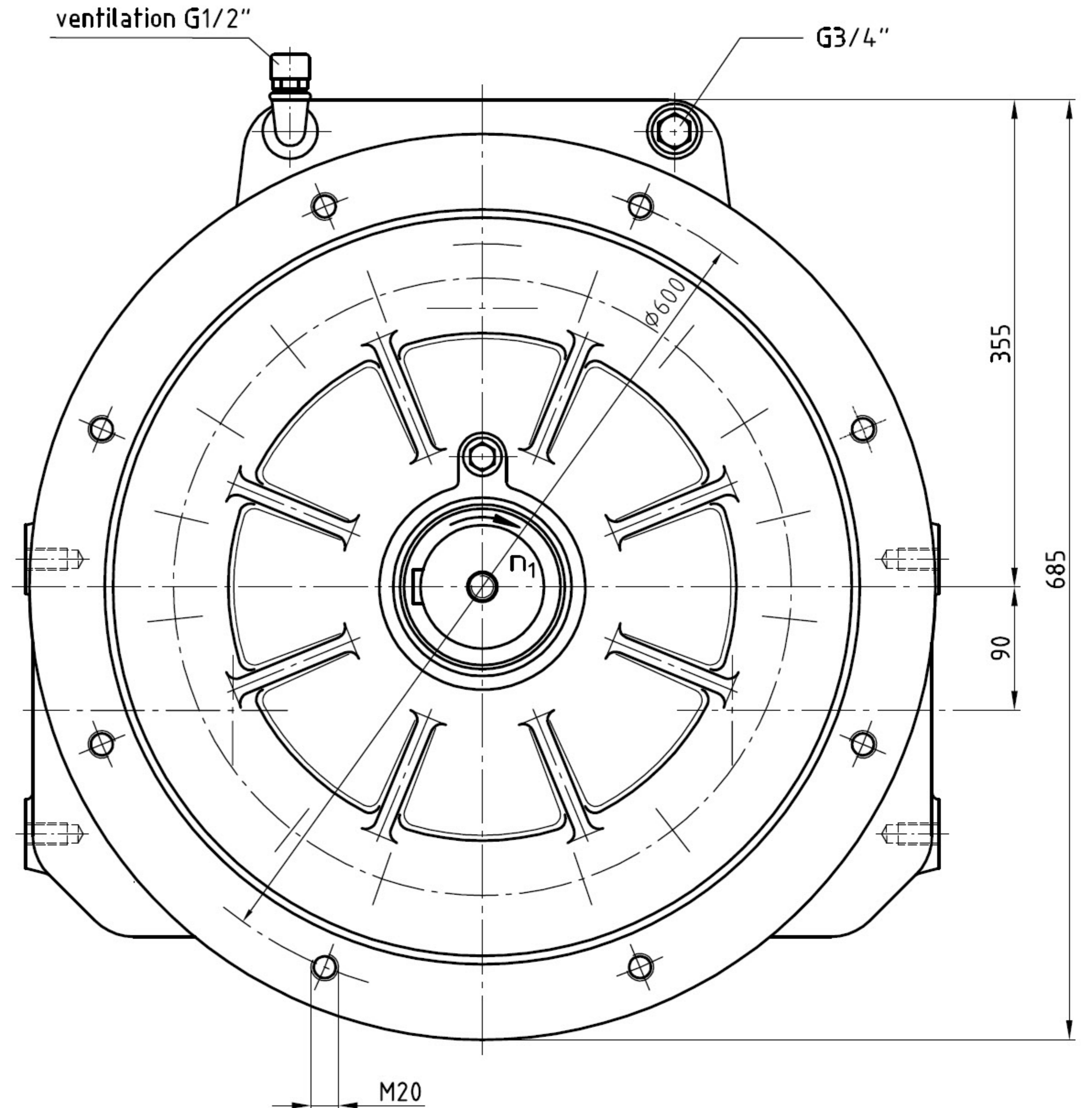
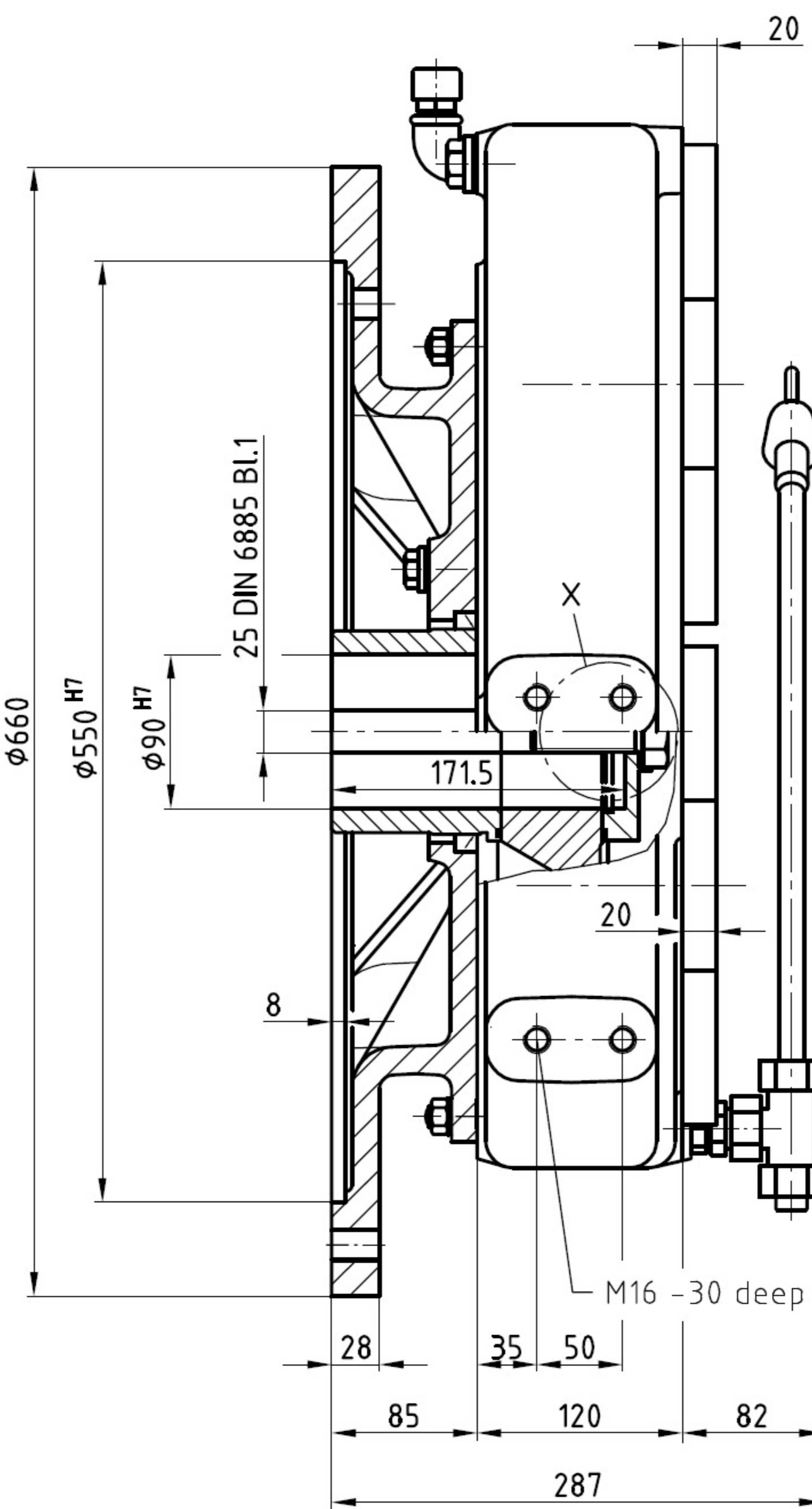
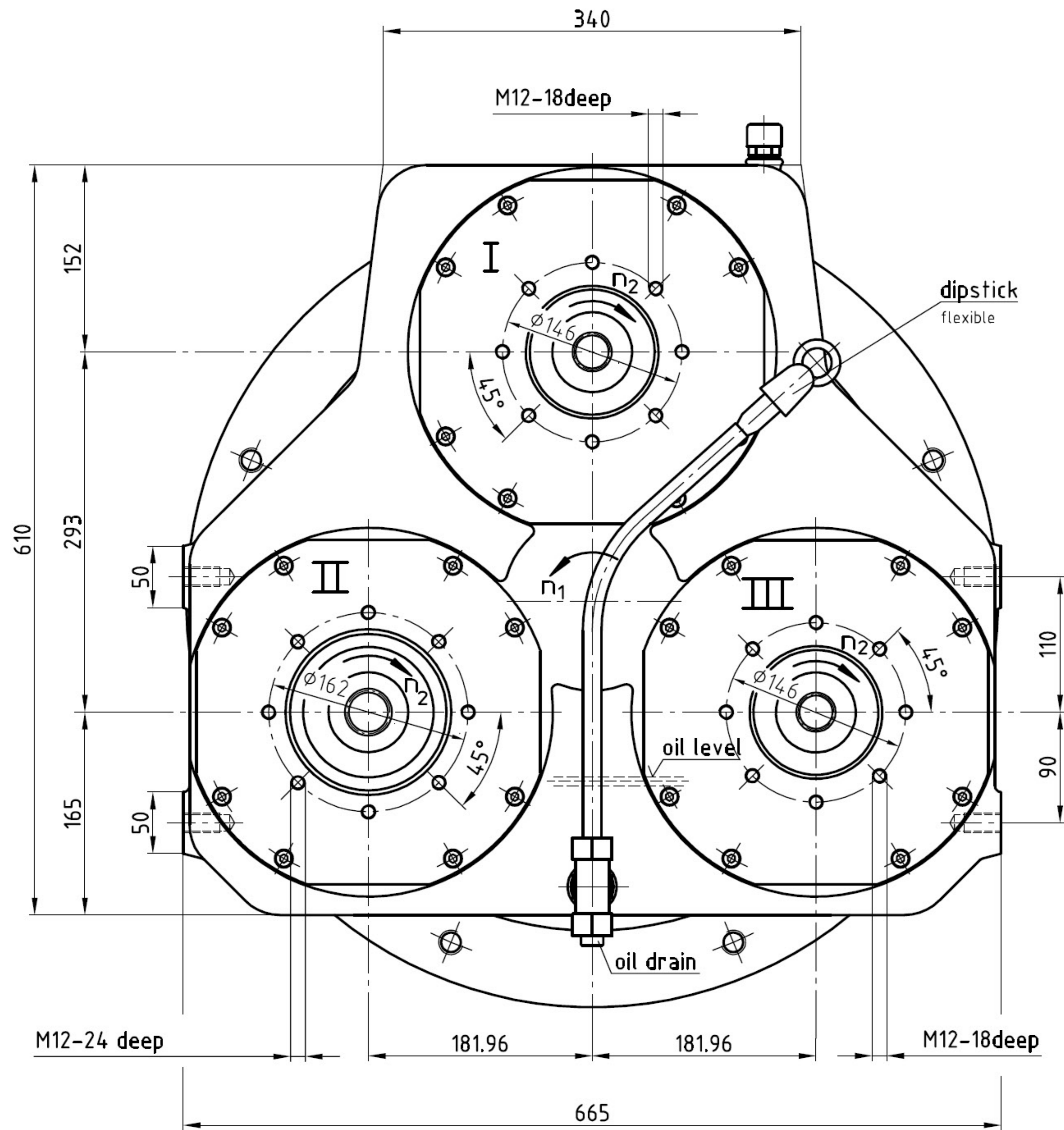
The customer has to check whether the pumps incl. supply pipes are attachable in all STIEBEL only guarantees mounting of several pumps regarding centre diameter, pinhole image and pump shaft.

Drawing checked regassing pumps incl. supply pipes and dimensions:

Date:

Stamp:

Signature:



tightening torque of the bolt = 500 Nm

collar of the disc clinged with a hexagon headed bolt on 3 sides

M 1:2

Max. output capacity of one distributor axle : P = 250 kW; $n_1 = 2200$ 1/min; $T_1 = 1100$ Nm
Max. output capacity P = 380 kW; $n_1 = 2200$ 1/min; $T_1 = 1650$ Nm

Ratios									
Ref. no. :	00	01	02	03	04	05	06	07	08
$i = n_1 : n_2$	0,6056	0,8710	0,9333						
max. revs: $n_1, n_2 = 2500$ min ⁻¹ On revs higher than 2500 min ⁻¹ the transmission has to be checked with the manufacturer !									

Subject to change !

assembly-Drawing

Scale 1:4
drawn 07.09.09 Scw
valid 14.10.09 bf



Geändert am: 15-Sep-10
Geändert durch: schaefer

Pump Drive

offer number: A4387.99
Z.-Nr. A4387.52

Without our knowledge and written permission no reproductions of this drawing or illustration may be either reproduced in any form or sent or made available to third persons or competitor companies. § 48 of Patent Law of 11. June 1870 concerning copyright. Removal of this inscription is prosecuted under § 714, penal code. STIEBEL-GETRIEBEBAU GmbH & Co. KG D-51545 Waldbröl / Industriestr. 12